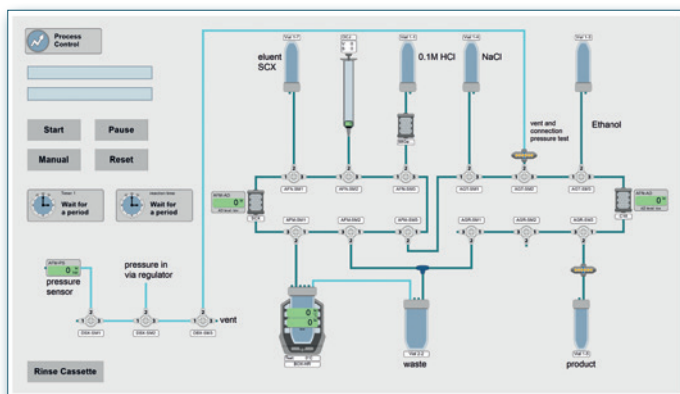


# Modular-Lab Software

## General Overview

### Modular-Lab Software

Intuitive and comprehensive software for programming and working with Modular-Lab synthesis equipment and quality control



### General Information

Modular-Lab is the renowned standard software solution coming with all Modular-Lab Standard, Modular-Lab PharmTracer and Modular-Lab eazy systems. Each Modular-Lab synthesis device will be completely controlled and run by the software.

It comes in open as well as closed versions. Closed versions (as used with Modular-Lab eazy) are non-editable and only support the use of pre-validated synthesis projects requiring a dedicated system setup. A wide range of according projects for different tracers is available via Eckert & Ziegler.

The open, editable software version (available for Modular-Lab Standard and PharmTracer) furthermore allows programming and creation of project templates for the development of own synthesis processes. The software works with an intuitive graphical interface to create projects by drag and drop of symbols. The editable Modular-Lab Software versions require the use of a Dongle License in order to access and run the program.

### Features

The Modular-Lab software complies with the highest standards of GMP, cGMP, GAMP 5 and 21 CFR part 11 regulations. An access control with four defined security levels (user, service engineer, project manager, and administrator) meets all demands for the security of the process data and the application-specific setup. The logging of all system and user operations runs fully automatically.

Additional features include:

- Manual and automatic control of programmed processes
- Automated database download from PLC onto notebook after each project download
- System status messages
- Protection of know-how about a synthesis process through restricted access
- Barcode reader
- Errors and other comments pertaining to specific process
- Display of steps in separate message window
- Four timers with countdown function
- Help function
- Trend viewer
- Calculation and comparison of mathematical and logical terms
- Service and maintenance information

### Audit Trail and Reporting

The implemented audit trail function records all necessary information including process data (process steps, sensors), user data (user management, login, etc.), downloading of programs as well as occurring errors and messages.

The tracked data including time stamps is available as a comprehensive batch report (PDF file) after the end of a process.

### Eckert & Ziegler Eurotope GmbH

Robert-Rössle-Strasse 10  
13125 Berlin  
Germany  
Phone: +49 30 941084 197  
Fax: +49 30 941084 470

eurotope@ezag.de  
www.radiopharma.com

### Your contact in USA & Canada: Eckert & Ziegler Radiopharma, Inc.

25 Upton Drive  
Wilmington, MA 01887  
USA  
Phone: +1 508 497 0060  
Fax: +1 508 497 0061

InfoRAU@ezag.com  
www.radiopharma.com